



LunaBulb looks traditional but functions like a professional luminaire, meeting filmmakers' needs for on-camera practicals and offering endless creative possibilities without disrupting event planners. It delivers perfect skin tones and wireless DMX controls, suitable for intimate gatherings and grand events alike. Control it easily via your smart device, remote, or console. Let your creativity shine wherever there's a lamp socket.



Wireless DMX



IP44



App

SPECIFICATIONS

Order Code	FP7-E26 / FP7-E27 / FP7-B22
LED Engine	Titan LED Engine
Colors	RGBMintAmber
Total LED Power	5.25 W
LED Power Draw	3.3 W
Luminous Flux 3200 K (with dome)	149 Lumens
Luminous Flux 4000 K (with dome)	154 Lumens
Luminous Flux 5500 K (with dome)	160 Lumens
Light Output 3200 K @ 1 m (with dome)	18.3 Lux
Light Output 4000 K @ 1 m (with dome)	18.8 Lux
Light Output 5500 K @ 1 m (with dome)	19.6 Lux
CRI (Ra)/ TLCI 3200- 6500 K	≥96
Beam Angle (with dome)	240°
Field Angle (with dome)	338°
Strobe	0 - 25 Hertz
Pixels	1
DC Input	N/A
DC Connector	N/A
AC Input	FP7-E27 / B22: 100-240 VAC FP7-E26: 100-120 VAC,
AC Connector	E27 / E26 / B22
Power Consumption (max.)	4.25 W
Wired DMX	N/A
CRMX Receiver	Built-in
BluetoothBridge BTB	Built-in
Wireless Protocols	CRMX, UHF, Bluetooth, WiFi
Wireless Range	CRMX / UHF up to 100 m / 110 yds Bluetooth up to 3 m / 3.3 yds
RDM Support	Wireless
Infrared Control	Yes
Housing Material	Metal & Polycarbonate
IP Rating	IP44 - Depending on socket used

Ambient Operating Temperature	0 - 40 °C / 32 - 104 °F
Weight	0.081 kg / 0.179 lbs
Dimensions Classic Look (Ø x H)	Ø 55 mm x 99 mm (E26) / Ø 2.17" x 3.90" (E26) Ø 55 mm x 100 mm (E27) / Ø 2.17" x 3.94" (E27) Ø 55 mm x 98.6 mm (B22) / Ø 2.17" x 3.88" (B22)
Dimensions Slim Look (Ø x H)	Ø 27 mm / Ø 33 mm x 91.6 mm (E26) / Ø 1.06" / Ø 1.30" x 3.60" (E26) Ø 27 mm / Ø 33 mm x 92.6 mm (E27) / Ø 1.06" / Ø 1.30" x 3.65" (E27) Ø 27 mm / Ø 33 mm x 91.2 mm (B22) / Ø 1.06" / Ø 1.30" x 3.59" (B22)
Mounting Options	E26 / E27 / B22 socket

All specifications provided are typical values and may be subject to change without prior notice.

RF CHARACTERISTICS

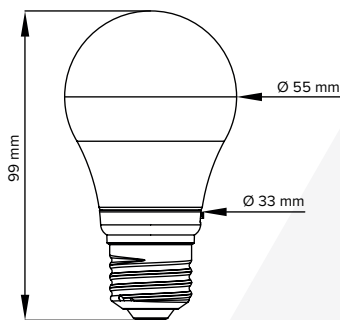
Wireless Modules	EU: UHF*** (863-870MHz)	USA: UHF (917-922.20MHz)	AUS: UHF (922.30-927.50MHz)	SGP: UHF (920.50-924.50MHz)	KOR: UHF (917.9-921.5MHz)
Modulation	FHSS	FHSS	FHSS	FHSS	FHSS
ERP (Transmitter)	<25mW	<25mW	<25mW	<25mW	<25mW
Channel Count	47	53	53	41	10

Wireless Modules	RUS: UHF (868.75-869.12MHz)	JPN: UHF (922.80-926.40MHz)	CRMX (2402-2480MHz)	Bluetooth 5.0 LE (2402-2480MHz)	WiFi (2412-2472MHz)
Modulation	FHSS	FHSS	FHSS	FHSS	DSSS, OFDM
ERP (Transmitter)	<25mW	<25mW	-	10mW (BLE)	<100mW
Channel Count	6	19	79	40	13

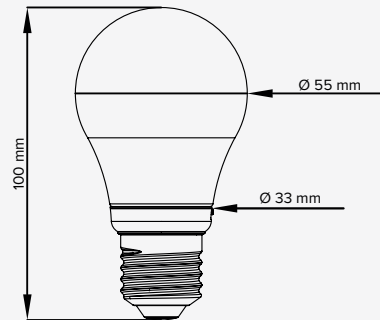
***General allocation of frequencies for use by short-range radio applications

DRAWING CLASSIC LOOK

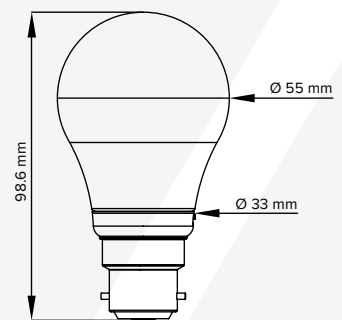
FP7-E26



FP7-E27

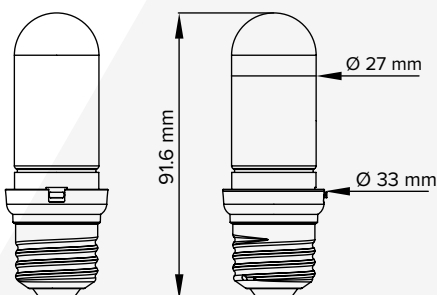


FP7-B22

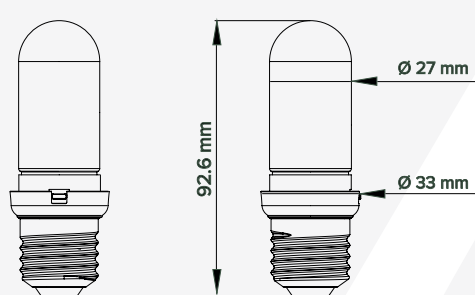


DRAWING SLIM LOOK

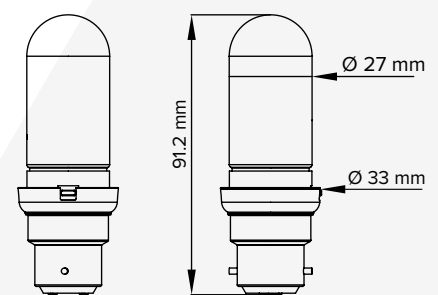
FP7-E26



FP7-E27



FP7-B22



ACCESSORIES

PrepCase empty

FP7-PRPCSE



PrepCase Kit

FP7-PRPCSE



Contents

- 8x LunaBulb (FP7)
- 1 x LunaBulb PrepCase (FP7-PRPCSE)
- 1x Charger (FP1-CHR)

Prepinlay empty

FP7-PRPCSE



Prepinlay Kit

FP7-PRPINL

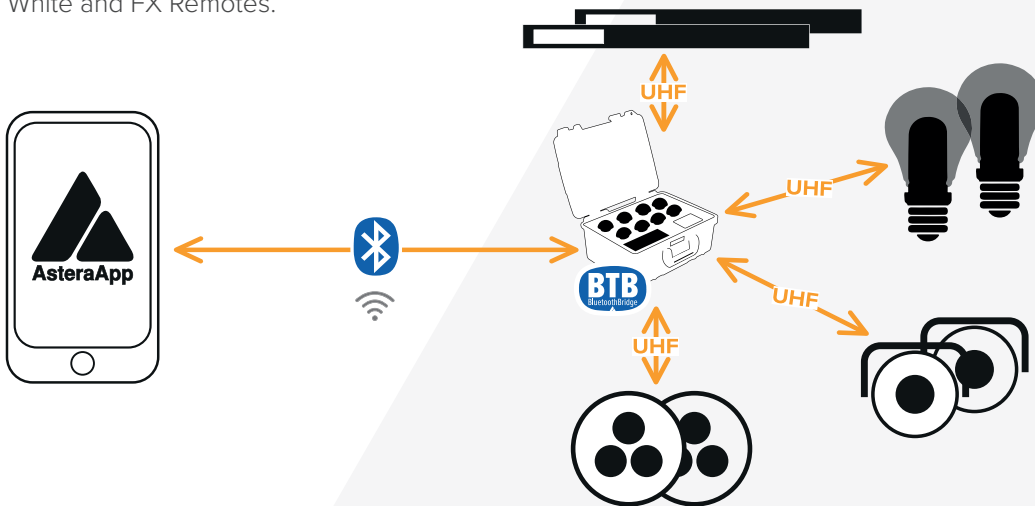


Contents

- 8x LunaBulb (FP7)
- 1x LunaBulb Prepinlay (FP7-PRPINL)
- 1x Charger (FP1-CHR)

LUNABULB AS BLUETOOTH BRIDGE

Setup and configuration are done using the LunaBulb PrepCase. The lights can be wirelessly controlled via CRMX, Astera's app, BTB link, or White and FX Remotes.



TYPICAL SPECTRAS

